

# Self Introduction CLTP-7

Abhas Maskey (Nepal)

Formerly:

CubeSat Research Center under Prof. Jeung In Seuck

Aerospace Propulsion and Combustion Laboratory (APCL)

Seoul National University

# Background

Budhanilkantha School (2000-2009)

SLC, A-Levels

Seoul National University (2010-2014)

Bachelor of Science in Mechanical and Aerospace Engineering

Seoul National University (2014-2016)

Master of Science in Aerospace Engineering

APCL, SNU (Spring 2014)

Prof. Jeung

Intern. Undergraduate thesis on “Feasibility Study of GoPro Camera for Future Nano-Satellite Missions”

APCL/CubeSat Research Center, SNU (2014-2016)

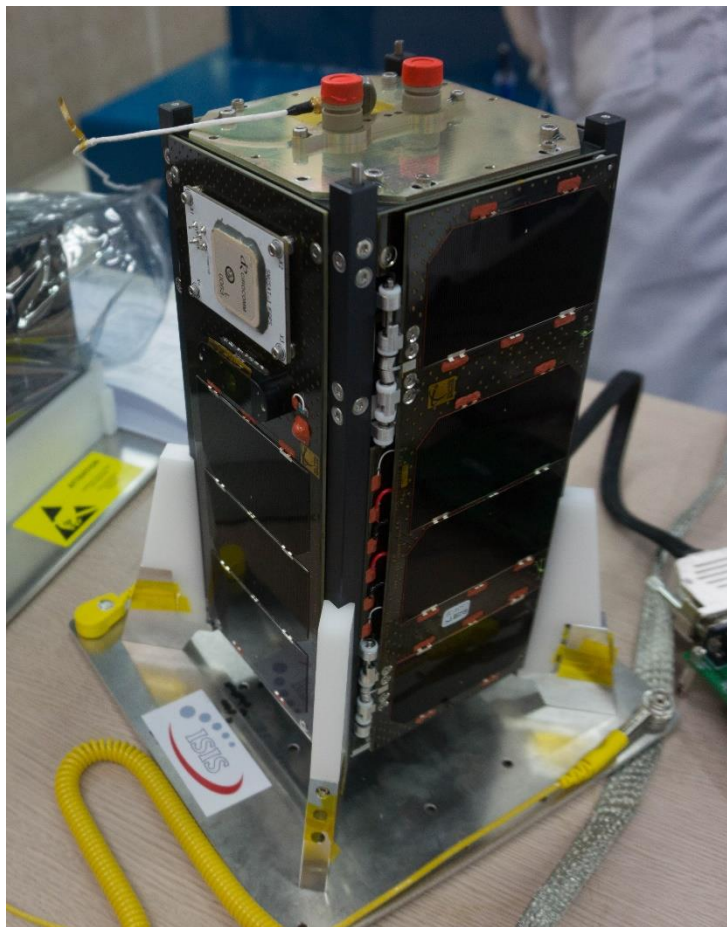
Prof. Jeung

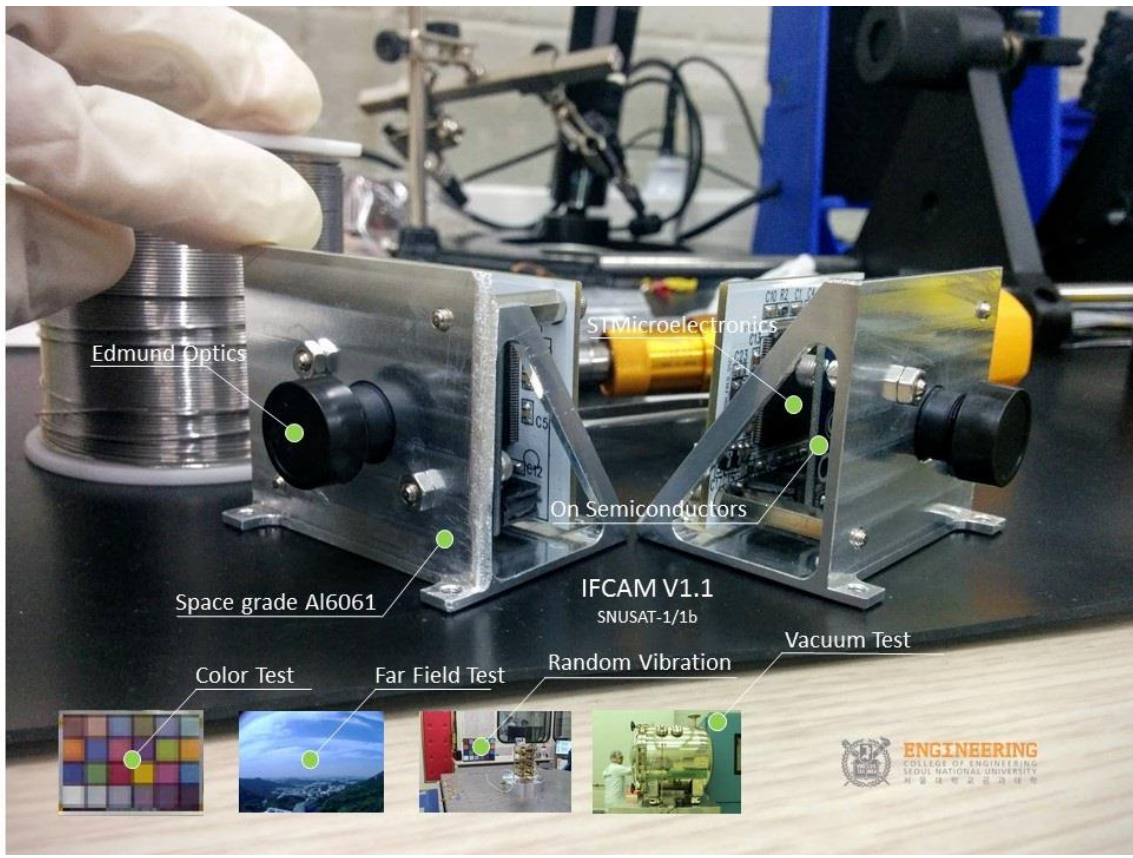
Graduate Studies. SNUSAT-1 and SNUSAT-2 projects

# CanSat Platform



# CubeSat Platform





Thesis:  
**Imaging Payload System Design for Nano-Satellite Applications in Low Earth Orbit**  
 지구 제궤도 나노위성을 위한 영상탑재체 시스템 설계

# Modular Design

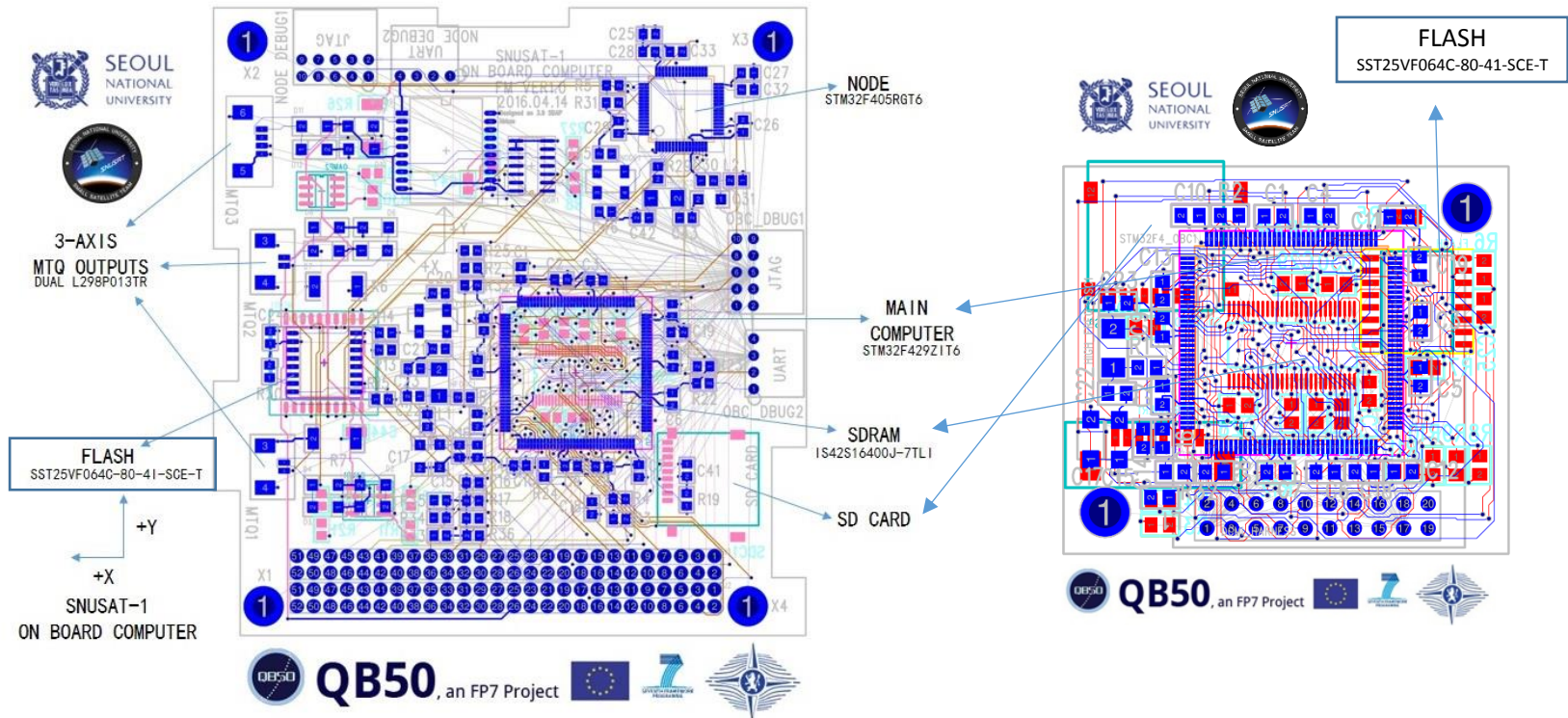
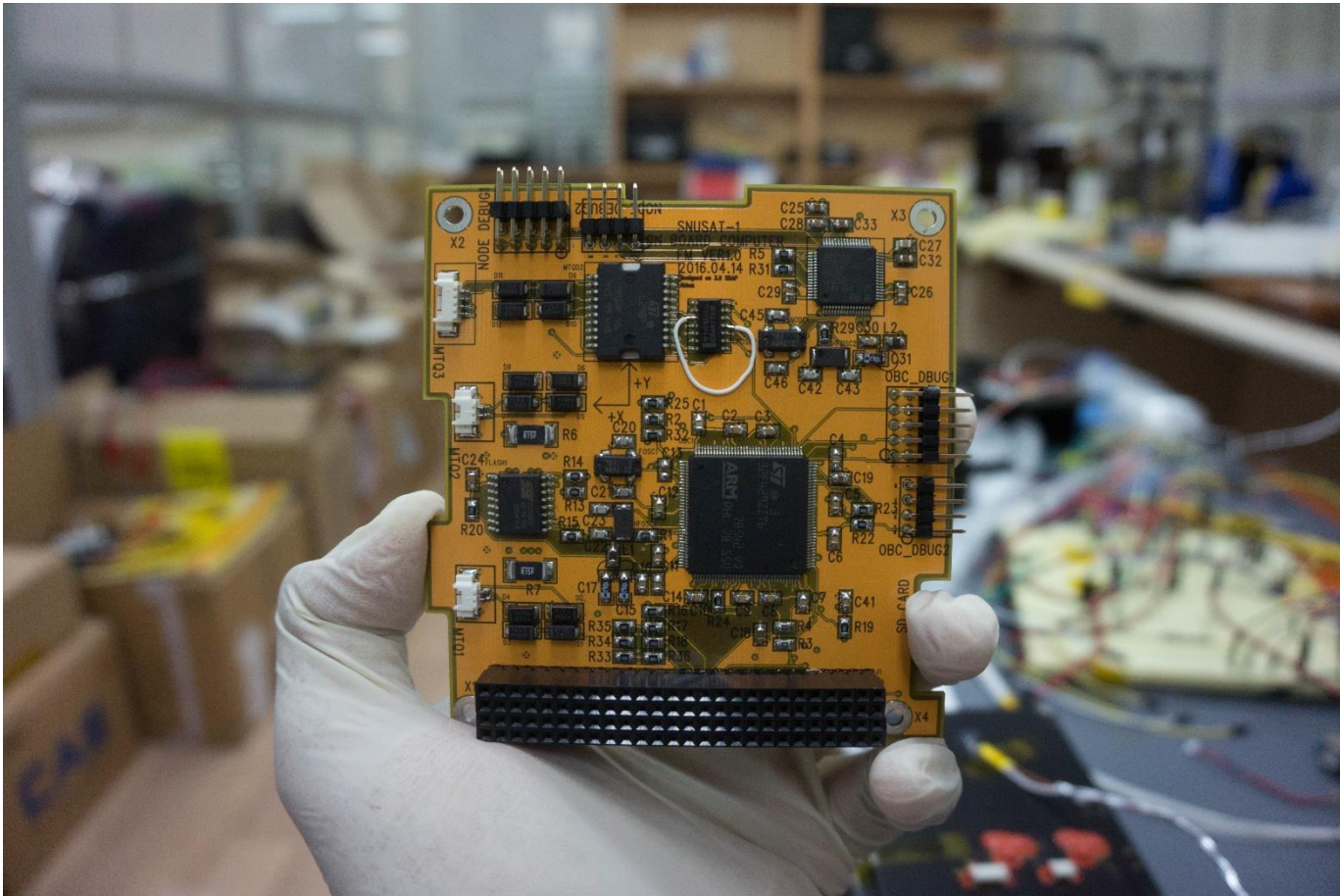


Fig. 33 SNUSAT-1 On Board Computer Design using IFCAM components [Maskey, 2016]

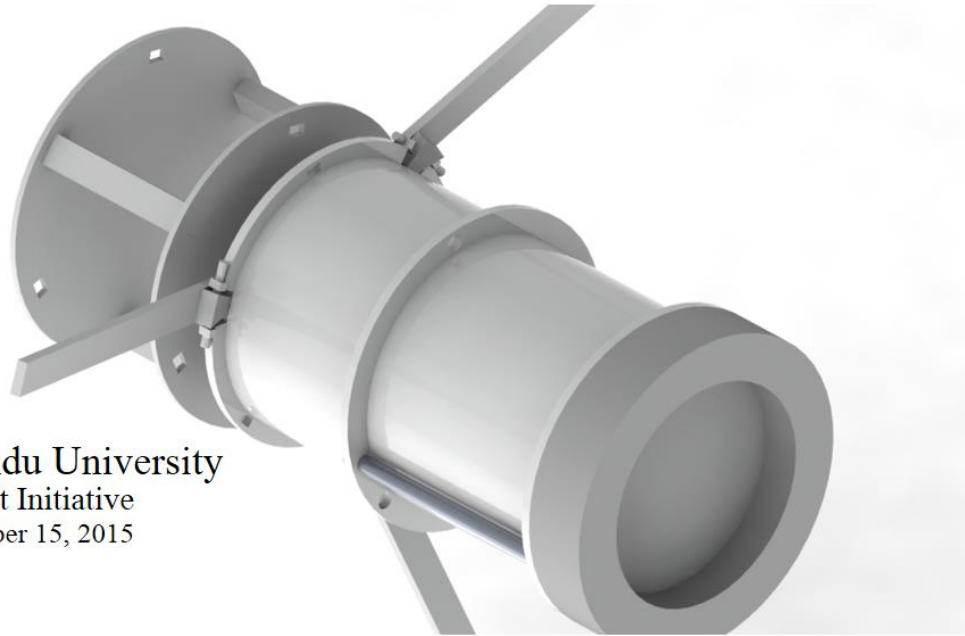
# OBC Implementation



# KU Robotics Team



Kathmandu University  
CanSat Initiative  
December 15, 2015



- Interaction program conducted on 18<sup>th</sup> September 2016
- Focus on embedded system design



# Thank You